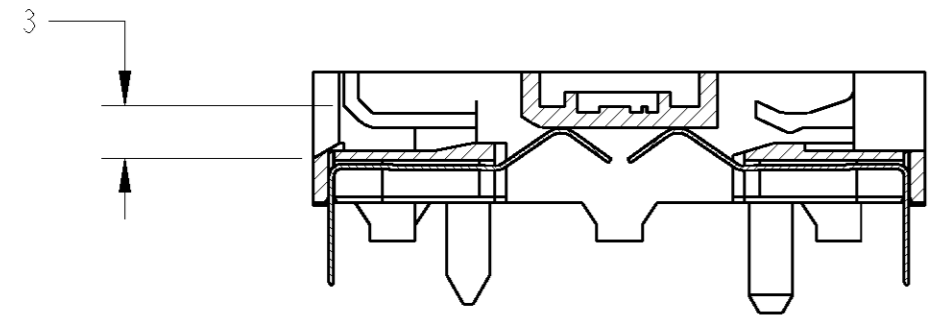
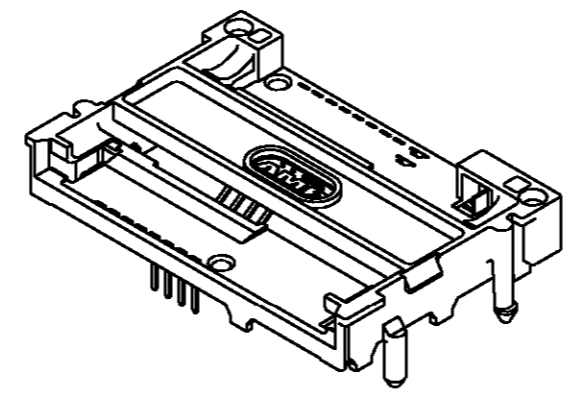


THIS DRAWING IS UNPUBLISHED. RELEASED FOR PUBLICATION .19
 DIFFUSION RESTREINTE LIBRE A LA DIFFUSION
 © COPYRIGHT 19 BY AMP INCORPORATED. ALL RIGHTS RESERVED. TOUS DROITS RESERVES

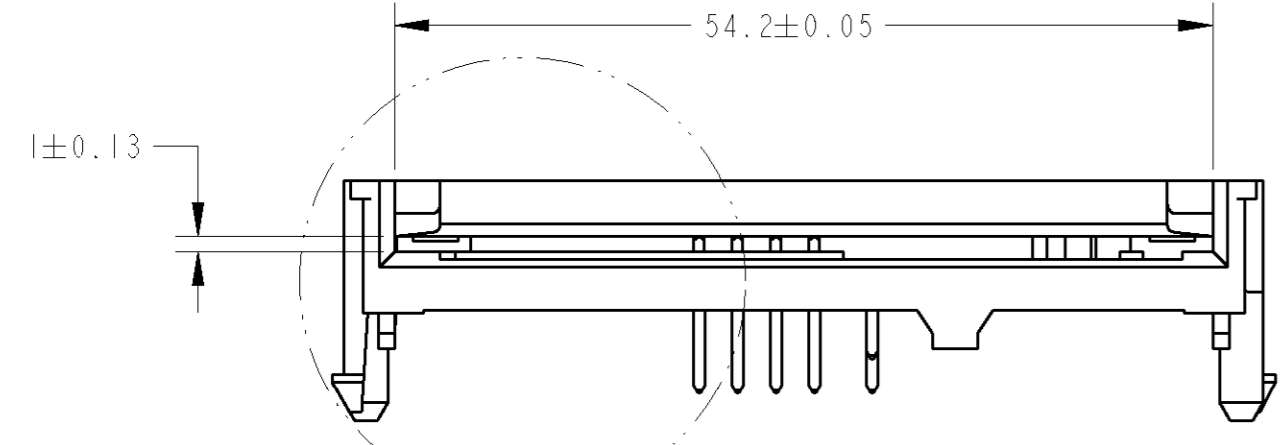
REVISIONS					
P	LTR	DESCRIPTION MODIFICATIONS	DATE	DWN DESS.	APVD APP.
E		MODIFIED PER EC ER00-7954	02AUG99	BD	YP
F		UPDATED	04NOV99	JJD	-
G		ADDED DIM. 48.2	16DEC99	JJD	-
H		CLARIFY, ADD NOTE 4 AND 5	14MAR2000	FB	YP



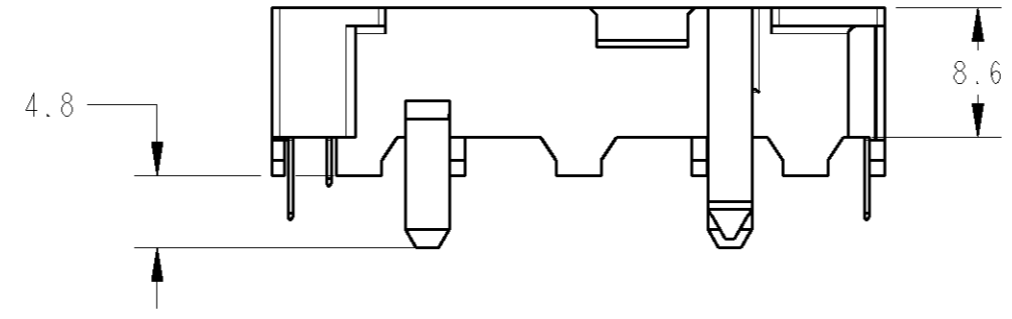
SECTION A-A



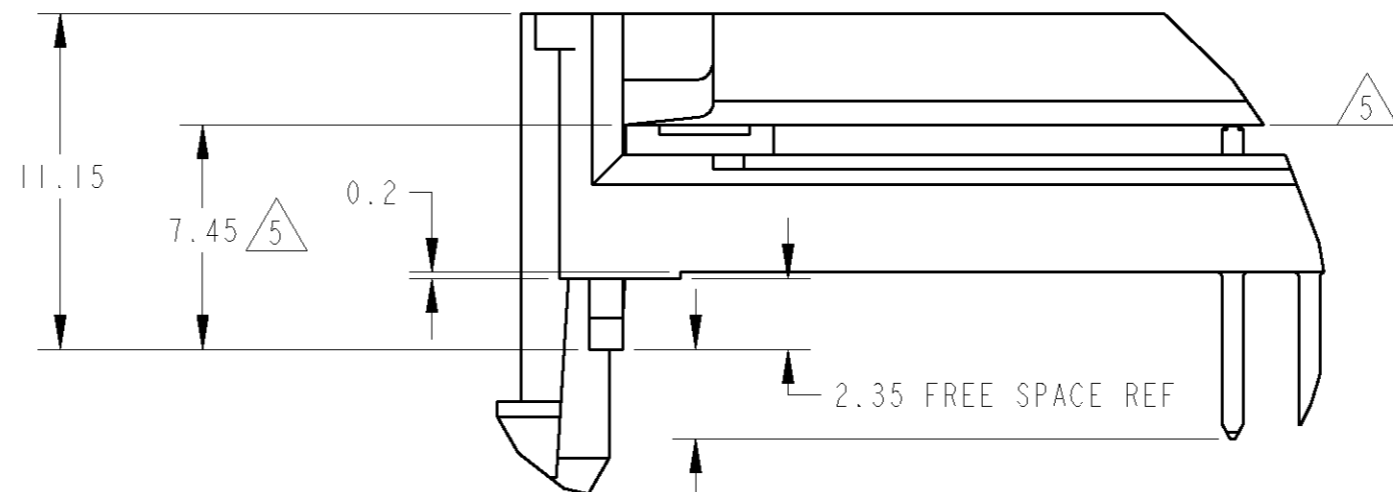
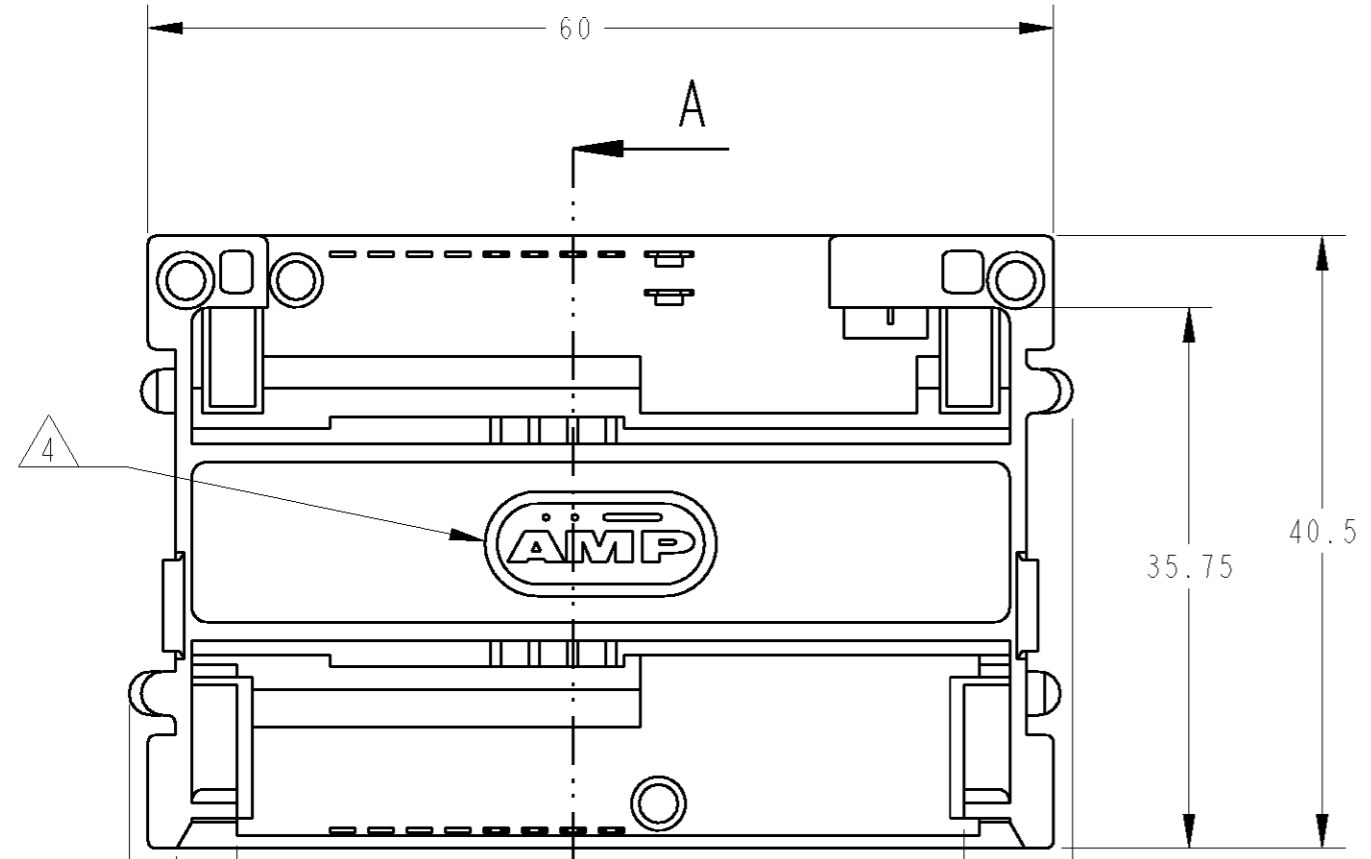
SCALE 1:1



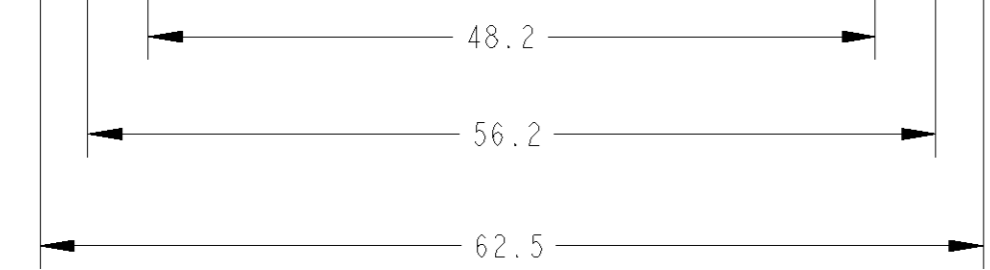
SEE DETAIL F



- 1 SMART CARD READER : PBT G-F, BLACK UL 94V0
 SIGNAL AND SWITCH CONTACTS : PHOSPHOR BRONZE.
- 2 ALL CONTACTS : 0.00076 GOLD ON MATING AREAS,
 0.0025 TIN-LEAD ON SOLDER TAILS,
 ALL OVER 0.001 NICKEL.
- 3 AMP SMART CARD RECEPTACLE DESIGNED TO ACCEPT
 ISO 7810-7816 TYPE INTEGRATED CIRCUIT SMART
 CARDS (0.76mm REF. THICKNESS)
 SEE SHEET 2/2
- 4 LOGO SHAPE AND POSITION VARY DEPENDING ON
 MOLD CAVITY NUMBER.
- 5 DIMENSION APPLICABLE IN CARD CONTACT AREA ONLY.
 SURFACE VARY DEPENDING ON MOLD CAVITY NUMBER.

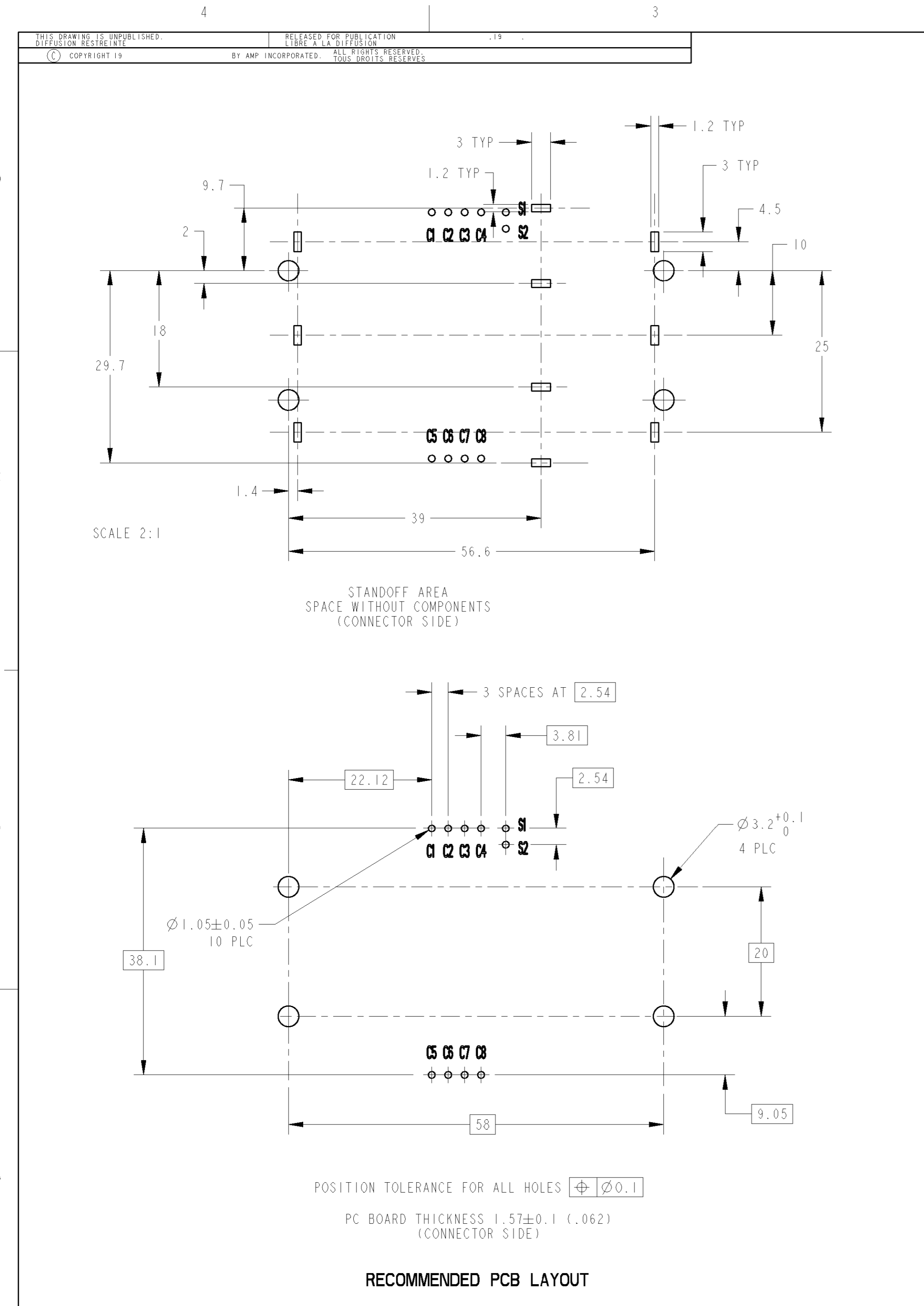


DETAIL F
 SCALE 4:1



P/N : 953438-1 8 POSITIONS
 ISO 7816

THIS DRAWING IS A CONTROLLED DOCUMENT FOR AMP INCORPORATED. IT IS SUBJECT TO CHANGE AND THE CONTROLLING ENGINEERING ORGANIZATION SHOULD BE CONTACTED FOR THE LATEST REVISION. CE PLAN EST UN DOCUMENT CONTRÔLÉ PAR AMP INCORPORATED. IL EST SUSCEPTIBLE D'ÊTRE REVISÉ. CONTACTER LE SERVICE TECHNIQUE D'AMP DE FRANCE POUR OBTENIR LA DERNIÈRE RÉVISION.		DWN /DESSINE 05MAR98 P. LINDBERG CHK /VERIFIE 05MAR98 Y. PETRONIN APVD /APROUVE - Y. PETRONIN PRODUCT SPEC SPEC. PRODUIT 108-15202 APPLICATION SPEC SPEC. APPLICATION - WEIGHT MASSE APPROX. 9 g	NAME TITRE SMART CARD READER 0.76mm, PCB MOUNT THROUGH HOLE, RAISED PROFILE BLADE SWITCH NORMALLY CLOSED.
DIMENSIONS: mm 	TOLERANCES UNLESS OTHERWISE SPECIFIED: TOLERANCES NON SPECIFIEES (SUIV. NB DE DECIMALES) 0 PLC /DEC: ±0.3 1 PLC /DEC: ±0.3 2 PLC /DEC: ±0.03 3 PLC /DEC: ±0.001 4 PLC /DEC: ±0.0001 ANGLES FINISH FINITION	SIZE FORMAT A2 CAGE CODE 00779 DRAWING NO No PLAN C-953438	RESTRICTED TO RESERVE A - SHEET FEUILLE 1 OF DE 2 REV H
MATERIAL MATIERE - 1		FINISH FINITION - 2 CUSTOMER DRAWING /PLAN CLIENT UNIQUEMENT POUR REFERENCE SCALE ECHELLE 1:1 SHEET FEUILLE 1 OF DE 2 REV H	



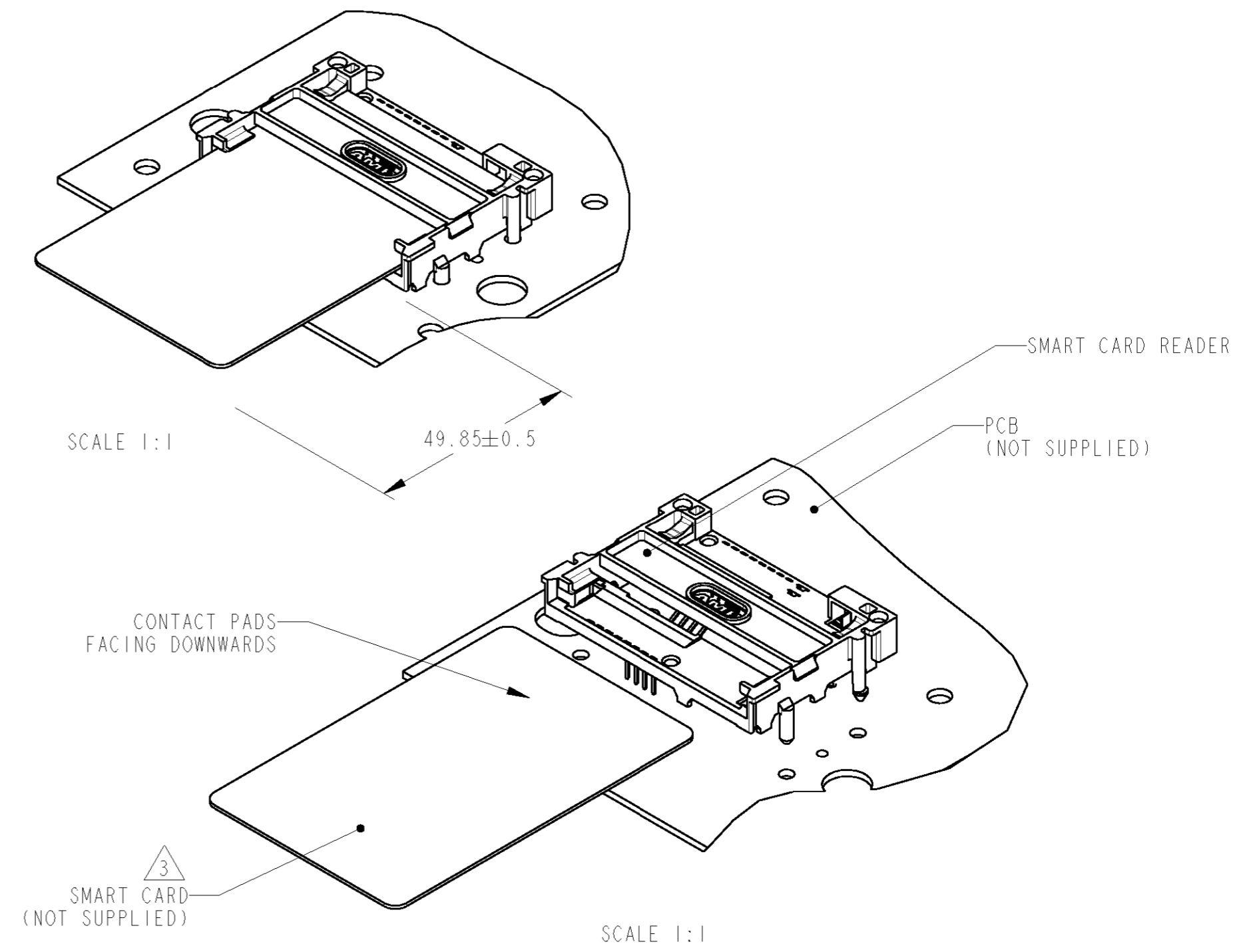
STANDOFF AREA
SPACE WITHOUT COMPONENTS
(CONNECTOR SIDE)

POSITION TOLERANCE FOR ALL HOLES $\pm \phi 0.1$

PC BOARD THICKNESS 1.57 ± 0.1 (.062)
(CONNECTOR SIDE)

RECOMMENDED PCB LAYOUT

LOC	DIST	REVISIONS					
F	7	P	LTR	DESCRIPTION MODIFICATIONS	DATE	DWN DESS.	APVD APP.
		-		SEE SHEET 1			



PCB MOUNTING CONFIGURATION

<small>THIS DRAWING IS A CONTROLLED DOCUMENT FOR AMP INCORPORATED. IT IS SUBJECT TO CHANGE AND THE CONTROLLING ENGINEERING ORGANIZATION SHOULD BE CONTACTED FOR THE LATEST REVISION. CE PLAN EST UN DOCUMENT CONTRÔLÉ PAR AMP INCORPORATED. IL EST SUSCEPTIBLE D'ÊTRE RÉVISÉ. CONTACTER LE SERVICE TECHNIQUE D'AMP DE FRANCE POUR OBTENIR LA DERNIÈRE RÉVISION.</small>		DWN / DESSINE P. LINDBERG 05MAR98 CHK / VERIFIE Y. PETRONIN 05MAR98	AMP AMP DE FRANCE 95301 PONTOISE
DIMENSIONS: mm	TOLERANCES UNLESS OTHERWISE SPECIFIED: (SUIV. NB DE DECIMALES) 0 PLC / DEC: ± 0.5 1 PLC / DEC: ± 0.3 2 PLC / DEC: ± 0.03 3 PLC / DEC: ± 0.001 4 PLC / DEC: ± 0.0001 ANGLES: \pm	APVD / APROUVE Y. PETRONIN PRODUCT SPEC SPEC. PRODUIT APPLICATION SPEC SPEC. APPLICATION WEIGHT MASSE APPROX.	NAME / TITRE SMART CARD READER 0.76mm, PCB MOUNT THROUGH HOLE, RAISED PROFILE BLADE SWITCH NORMALLY CLOSED. SIZE / FORMAT A2 CAGE CODE 00779 DRAWING NO / No PLAN 953438 RESTRICTED TO RESERVE A
MATERIAL / MATIERE -	FINISH / FINITION -	CUSTOMER DRAWING / PLAN CLIENT UNIFORMENT POUR REFERENCE	SCALE / ECHELLE 1:1 SHEET / FEUILLE 2 OF / DE 2 REV H